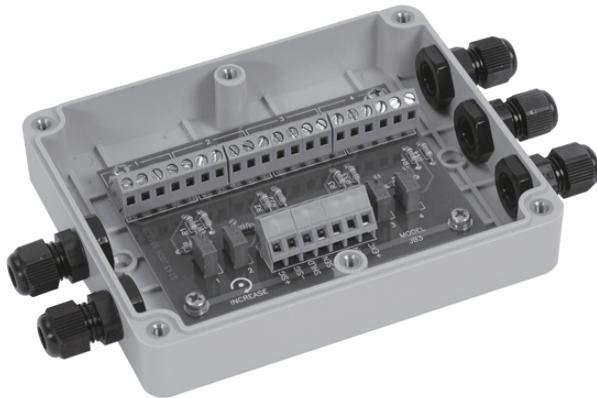


# J-BOX Junction Box

## Junction Box

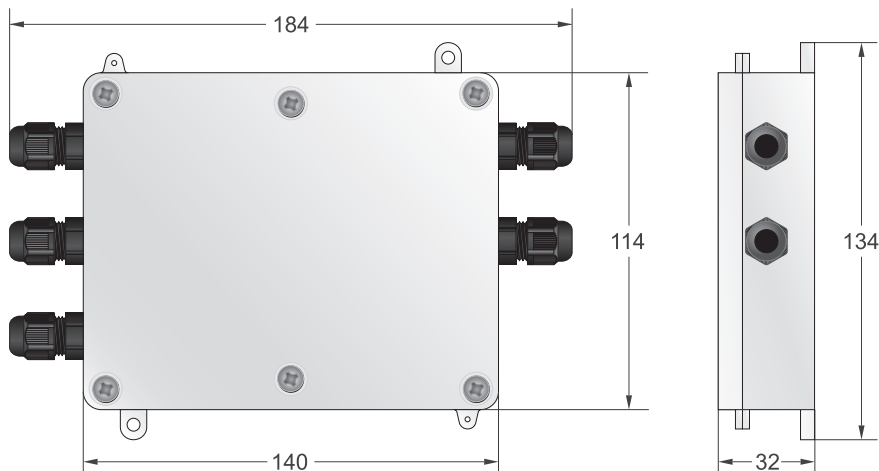


### Features

JB-FI load cell junction box adopts ABS enclosure with four 4 wires system with shielding wire load cell access terminal and one 6 wires signal output. It can connect with 2-4 load cells. The output signal of the junction box is the integration signal of the load cells. And there is also option of stainless steel enclosure.

### Options

- Stainless Steel /ABS Plastics
- 4-line wiring



### Schematic

