

Extensometer



Features

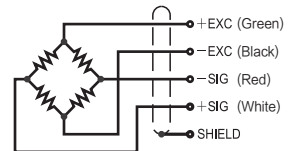
- Strain gage based sensor
- Alloy steel construction
- 2 bolt holes
- IP66 Hermetically sealed protection

Applications

- Tank weighing or level systems
- Agricultural equipment
- Rolling mill sensing
- Moment sensing
- Structural loading measurements
- Bridge structures

Schematic

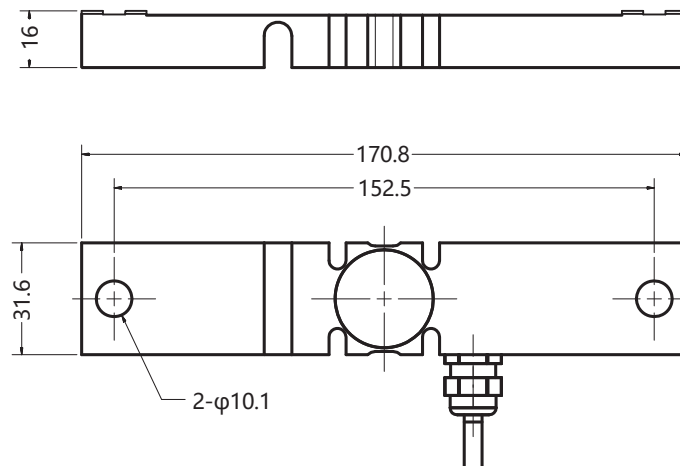
- Red : - signal
- Black : - excitation
- White : + signal
- Green : + excitation



Description

The Model KSF-500 extensometer is a load sensor designed for force measurement on any load-bearing structure. This extensometer provides the total solution for weighing, level control, stress and fatigue monitoring. The design also allows multiple sensors to be permanently mounted for more complex stress profiling and analysis.

The Model KSF-500 extensometer provides an ideal solution for non-intrusive level measurements for materials that are subject to uneven buildup, bridging, or sidewall collection. Also, liquids or wetted materials that are not suited for direct contact level measurement are an ideal application for the Model KSF-500 extensometer. The design of the Model KSF-500 makes it an excellent solution for retrofitting existing structures without compromise of the integrity of the vessel or structure.



Specifications

Rated Output	1.7mV/V@500μe	Input Impedance	350 ohm ± 10 ohm
Overload cap zero	300% of rated output	Output Impedance	350 ohm ± 10 ohm
Overload cap max	500% of rated output	Insulation Resistance	≥200 M ohm (50V DC)
Temp. Compensated	-30°C to + 70°C	Rated Excitation	10V DC/AC
Temp. effect on zero	≤0.0025% of rated output /°C	Maximum Excitation	15V DC/AC
Wire Length	4-AWG24 , 5m	Material	Electroless Nickel Plated Alloy Steel
Environmental Protection	IP66	Cable Color	Red(+ E) Black(- E) White(- S) Green(+ S)