

# MP-20

## Thermal Tape & Label Printer



# PRINTERS

Good things come in small packages.

The MP-20 is a versatile, compact thermal receipt / label printer with unique styling and a high capacity paper roll (118 ft. / roll).

Compact, quick, easy to use - this thermal printer uses no ink or toner and connects to any computer device that can provide output to a standard ASCII printer. Features automatic checksum calculation, 7 internal fonts, and built-in bar code symbology (Code 39).



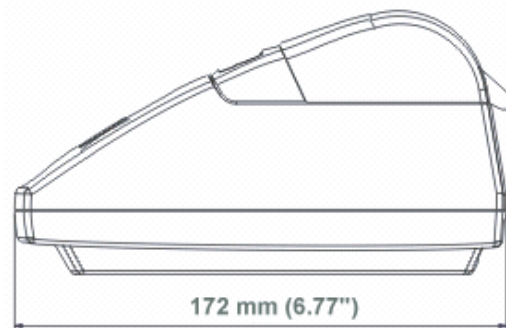
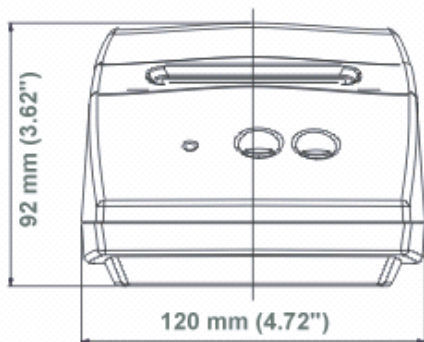
**TRANSCELL TECHNOLOGY, INC.**

# MP-20

## Specifications:

Printing Method:	Thermal dot line printing
Printing Width:	48 mm
Number of dots/line:	384
Dots Density:	8 dots/mm
Printing Speed:	20 mm/sec
Feeding Speed:	24 mm/sec
Standard Paper Roll Size:	57mm (2.24") x 36m (118') (Thermal)
Interface:	Serial Interface (RS-232, Baud Rate 9600)
Power:	DC9V / 2.8A
Current Consumption:	Printing: 800mA Feeding: 300mA Stand By: 80mA
Weight:	Approx. 360g (Paper roll excluded)
Dimensions:	120mm x 170mm x 90mm
Operation Temperature:	32F to 122°F (0°C to 50°C)
Storage Temperature:	-13°F to 149°F (-25°C to 65°C)
Fonts Available:	Arial 14 Arial 20 Arial Narrow 14 Arial Narrow 20 Lucida 16 Courier 20
Default Font:	Chiblack 24
Bar Code:	Code 39
Max Printable Label Size:	50(W) x 100(L) mm
Error Conditions Detected:	Paper out, Head up, Overheat

## Dimensions:



**TRANSCCELL TECHNOLOGY, INC.**

975 Deerfield Pkwy, Buffalo Grove, IL 60089  
Tel (847) 419-9180 Fax (847) 419-1515

**(800) 503-9180**

[www.transcell.net](http://www.transcell.net)

Version 1.2 , 6/10/08

**YOUR AUTHORIZED TRANSCCELL DEALER IS:**

*Specifications and features subject to change without notice.*