

Standard Features & Benefits:

- **PLUG & WEIGH**- Easy installation
- **100% WIRELESS**- Bluetooth signal transfer between RF weighing unit and indicator
- **STAND**- Stainless steel swivel stand
- **DISPLAY**- Easy to read LCD
- **FULL FRONT PANEL CONFIGURATION**
- **ENCLOSURE**- Aluminum NEMA 12 or stainless steel enclosure
- **DIGITAL CALIBRATION**- Full front panel calibration
- **HIGH QUALITY/LOW COST**
- **BATTERY OPERATED**- Offers complete wireless operation



*This kit shown with the RF weighing module and our TI-500RF digital indicator.



RF WEIGHING KITS

The concept behind our RF kit is to offer scale fabricators the capability to effortlessly transform their products from “wired” to cable-free. And with a small amount of creative effort, an existing scale can be transformed too.

Our RF Weighing Kit is comprised of two component modules. The first is our TI-500RF digital indicator which, depending on your choice, is housed in either an aluminum or stainless steel enclosure. The second is our proprietary RF weighing module. Both modules use reliable and popular Bluetooth wireless technology.

Twelve kits are available - Choose the kit which best suits your application or contact a Transcell Technology sales representative today.

RF KITS

Specifications: TI-500 RF

Display: 0.8", 6 Digit LCD w/LED backlight	Keyboard Functions: Units, Zero/Off, Net/Gross, Tare, On/Print
Display Resolution: Up to 50,000 external grads	Annunciators: Gross, Net, kg, lb, Center of Zero, Stable, Tare, Negative, low battery
NIST Classification: Pending	Serial Port: Full Duplex RS-232C, Bluetooth
Operating Temperature: 14°F to 104°F (-10°C to 40°C)	Power Requirement: 6-14 VDC
Warranty: 1 year limited warranty applies	DC Power Consumption: 50 mA
Indicator Dimensions: 3.2" x 6.8" x 2.3" (81mm x 173mm x 60mm)	Battery: 4 - AA alkaline
Enclosure: Aluminum	

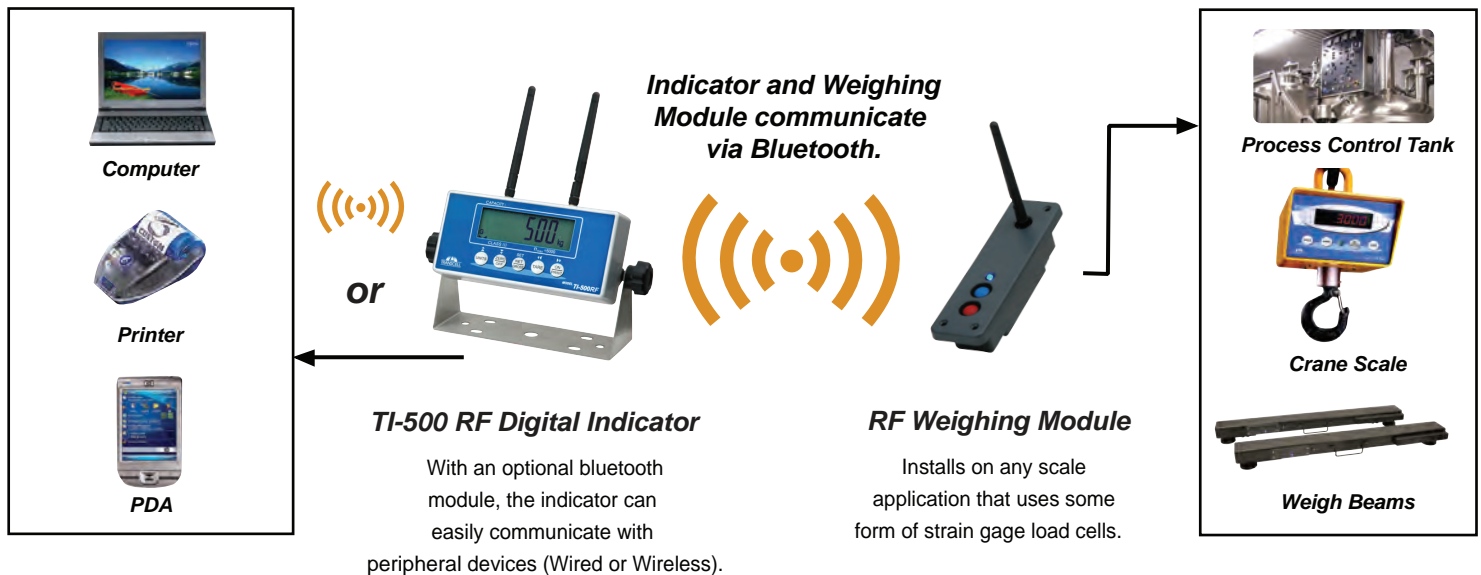
Specifications: TI-500 SS-RF

*TI-500 SS-RF specifications are the same as TI-500 RF except for the following:	
Enclosure: Stainless Steel	Battery: 6-Volt 3 Ah internal rechargeable lead acid
Indicator Dimensions: 8.9" x 5.5" x 2.9" (231mm x 140mm x 72mm)	Charging time: 44 hours, fully discharged battery

Specifications: RF Weighing Module

Load Cell Excitation: +3.3 VDC	Keyboard Functions: On/Off
Load Cell Current: Drives up to four 350 Ω Load Cells	Power Requirement: 4.0 VDC - 6.5 VDC
Analog Signal Input Range: +/- 3 mV/V max	DC Power Consumption: 20 mA + 10 mA/350 Ω Load Cell
Analog Sensitivity: 0.3 μ V/grad, minimum 0.6 μ /grad, recommended minimum for Legal-for-Trade	Dimensions - excluding the external antenna: 6.7" x 1.9" x 1.9" (170 x 48 x 47 mm)
A/D Conversion Rate: 10 Hz	Warranty: 1 year limited warranty applies
A/D Resolution: Up to 200,000 Internal Counts @ 3 mV/V	
Operating Temperature: 14°F to 104°F (-10°C to 40°C)	

How it works:

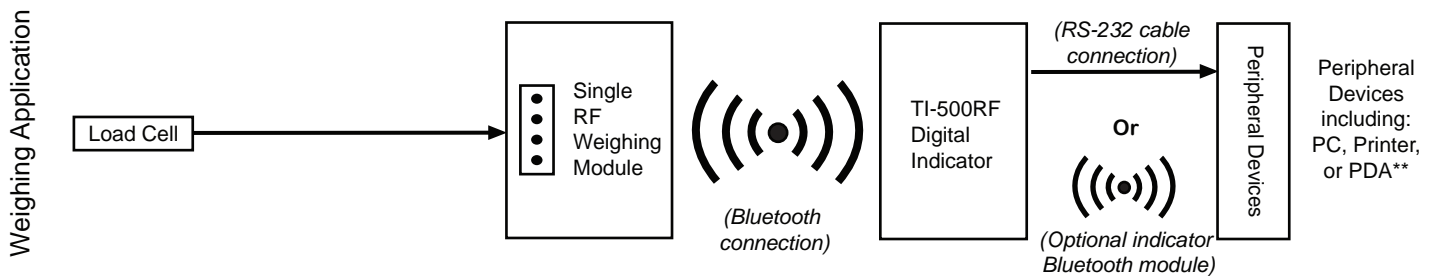


RF KITS

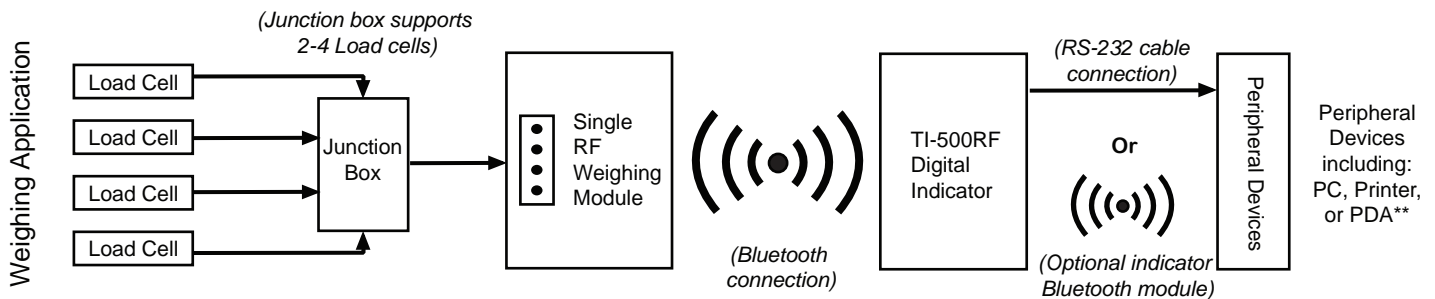
Product Matrix:				Specifications: Bluetooth
RF Kit	Channel	Antenna	Indicator Enclosure	Bluetooth range (2.0, Class I): Up to 100m unobstructed
Alpha	Single	Internal	Aluminum	(ISM) band at 2.4 to 2.485 GHz
Bravo	Single	Chip	Aluminum	Adaptive frequency hopping: reduce interference between wireless technologies sharing the 2.4 GHz spectrum
Charlie	Single	External	Aluminum	Class 1 Radios: have a range of 100 meters or 300 feet
Delta	Single	Internal	Stainless	
Echo	Single	Chip	Stainless	
Foxtrot	Single	External	Stainless	
Golf	Dual x 2	Internal	Aluminum	Specifications: Options
Hotel	Dual x 2	Chip	Aluminum	Battery pack: 4x C-cell battery pack (6V)
India	Dual x 2	External	Aluminum	Indicator Bluetooth module
Juliet	Dual x 2	Internal	Stainless	
Kilo	Dual x 2	Chip	Stainless	
Lima	Dual x 2	External	Stainless	

Setup example:

Example of single channel RF kit (Charlie):



Example of single channel RF kit with Junction Box (Charlie):



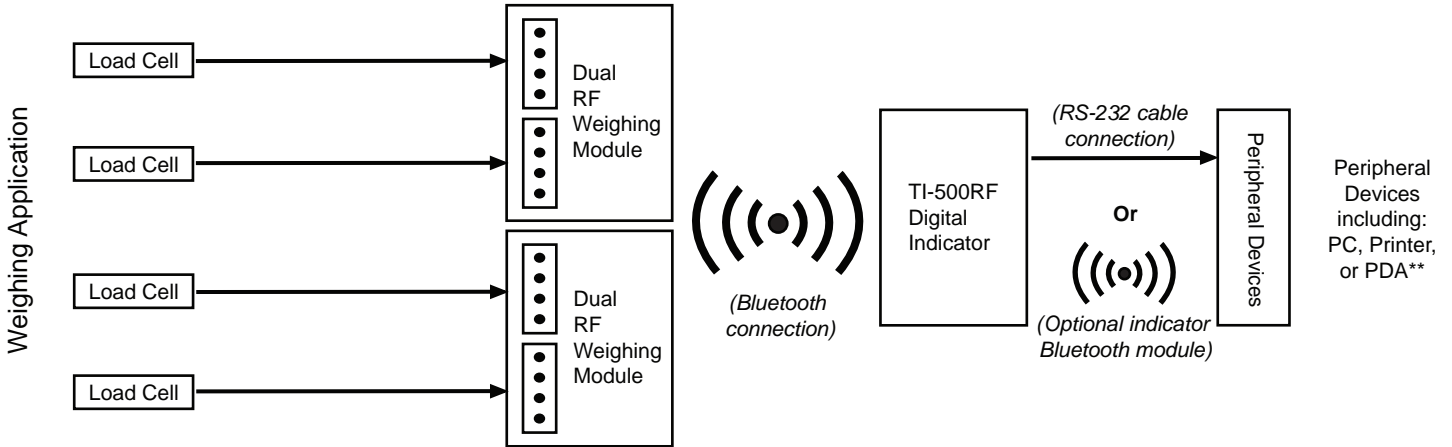
*Transcell Indicators can drive up to two RF Weighing modules.

**Including but not limited to these peripheral devices.

RF KITS

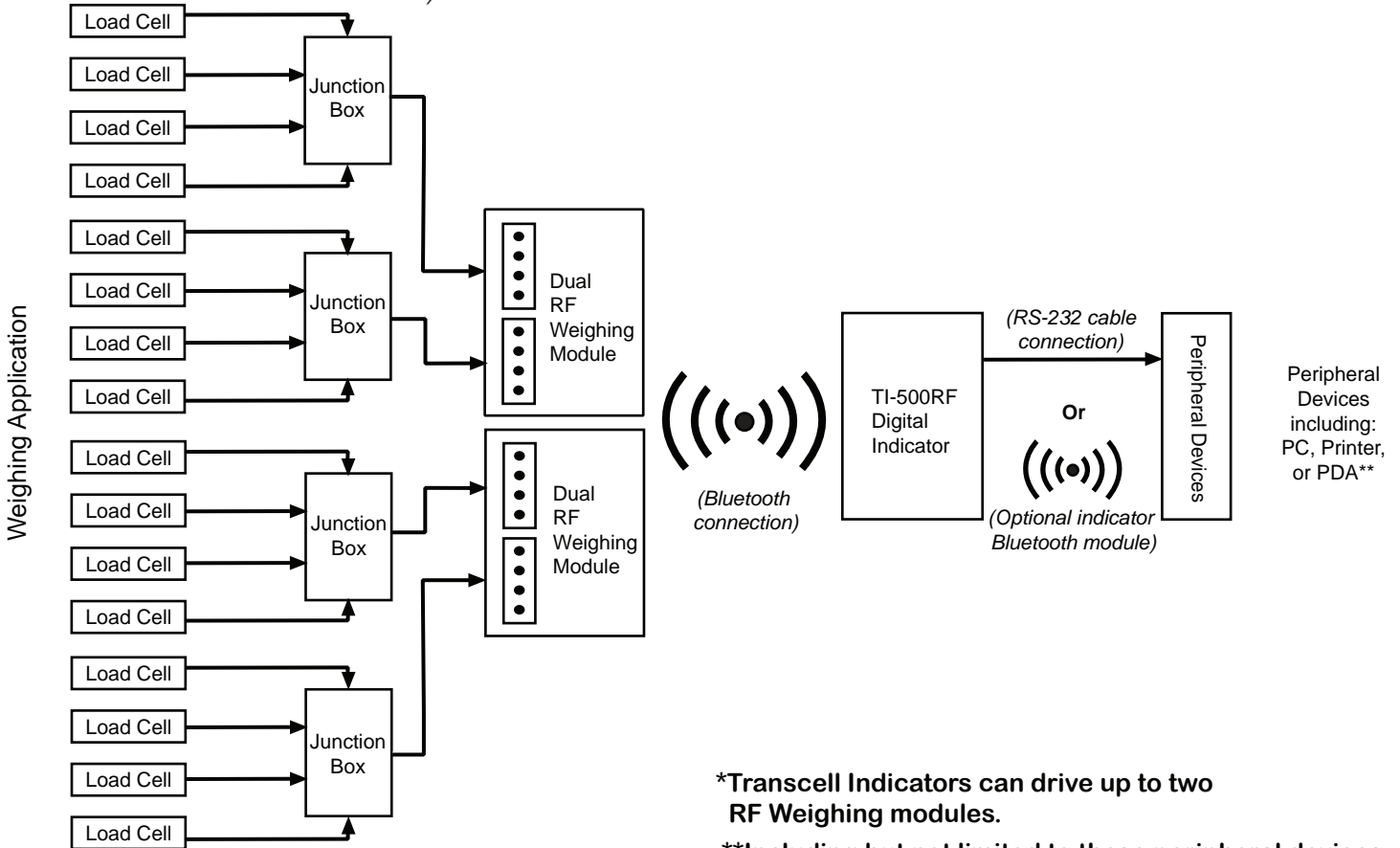
Setup example:

Example of Dual x 2 channel RF kit (India):



Example of Dual x 2 channel RF kit with Junction Box (India):

(Junction box supports 2-4 Load cells)



*Transcell Indicators can drive up to two RF Weighing modules.

**Including but not limited to these peripheral devices.


TRANSCCELL TECHNOLOGY, INC.

975 Deerfield Pkwy, Buffalo Grove, IL 60089
 Tel (847) 419-9180 Fax (847) 419-1515

(800) 503-9180

www.transcell.net

Version 1.4, 06/17/10

YOUR AUTHORIZED TRANSCCELL DEALER IS:

Specifications and features subject to change without notice.