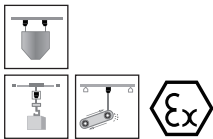


# S-Type Mount

## Weighing Mount



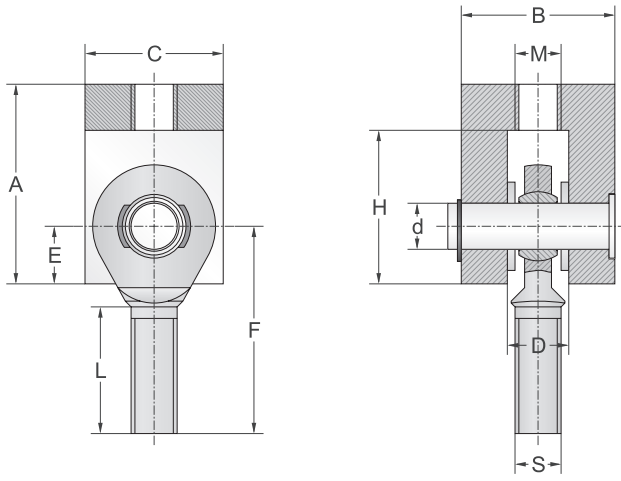
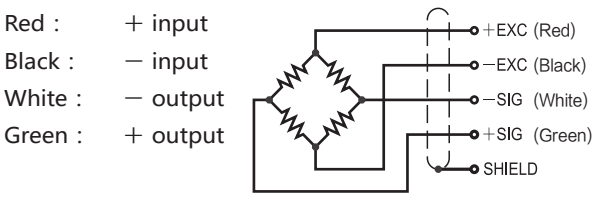
### Capacities

BSS - 100kg, 200kg, 250kg, 500kg, 750kg, 1t, 1.5t, 2t, 2.5t, 5t  
 BSS-ESH - 100kg, 200kg, 250kg, 300kg, 500kg, 750kg, 1t, 1.5t, 2t, 2.5t, 3t, 5t

### Features

- Alloy steel construction
- Employs model S-type load cell installed
- Suitable for tension measurement, batching system, blending and mixing systems, etc.

### Schematic



S.N/NO.	Capacities		A	B	C	D	E	F	H	d-0.1	M	S	L
311640006	200kg~250kg	mm	50	30	30	16	13	48	38	Ø10	M10	M12x1.75	29
311640005	200kg~250kg	mm	50	30	30	16	13	48	38	Ø10	M12	M12x1.75	29
311640007	500kg~1t	mm	52	40	36	16	15	54	40	Ø12	M12	M12x1.75	33
311640015	2t~2.5t	mm	58	46.5	46.5	20	18	69	44	Ø17	M14	M18x1.5	42
311640025	3t~5t	mm	75	55	55	22	22	81	55	Ø20	M20	M18x1.5	45

### Specifications

Rated Output	2.0-3.0mV/V ±0.1%	Safe Temp. Range	-10°C to + 70°C
Zero Balance	±1% of rated output	Temp. Compensated	-10°C to + 40°C
Creep after 30 minutes	±0.03% of rated output	Safe Overload	150%
Nonlinearity	±0.03% of rated output	Input Impedance	387 ohm ± 20 ohm
Hysteresis	±0.03% of rated output	Output Impedance	350 ohm ± 5 ohm
Repeatability	±0.03% of rated output	Insulation Resistance	≥5000 M ohm (50V DC)
Temp. effect on output	≤0.002% of applied output/°C	Rated Excitation	10V DC/AC
Temp. effect on zero	≤0.002% of rated output/°C	Maximum Excitation	15V DC/AC
Wire Length	6m	Wire Material	Red(+ E) Black(- E) White(- S) Green(+ S)